



INSTALLATION INSTRUCTIONS

UNILITE® DISTRIBUTOR

This product is applicable to pre-1966 California and pre-1968 federally certified passenger cars. It is also applicable to non-emission controlled trucks and similar vehicles. It is not applicable or intended for use on any emission controlled vehicles operated on highways or roads, unless otherwise noted.

IMPORTANT

Before installing the UNILITE® Distributor, make sure that your vehicle is equipped with an ignition ballast resistor (or loom resistance wire) in the wire between the ignition switch and the coil (+) terminal. Check a service manual for your vehicle to locate the ignition ballast resistor (or loom resistance wire). If your vehicle is not equipped with an ignition ballast resistor, install a Mallory Ignition Ballast Resistor Part No. 700 in the wire between the ignition switch and the coil (+) terminal. *Failure to use an ignition ballast resistor will eventually destroy the UNILITE® Ignition Module.*

PARTS INCLUDED IN THIS KIT: 1 UNILITE® Distributor 1 Distributor Wire Harness

GENERAL INFORMATION

Advance Curve:

Most UNILITE® Distributors with part numbers that end in "01" have 24° (crankshaft degrees) of mechanical advance (between 3,000 and 3,200 RPM). Listed below are exceptions:

CHEVY LUV.....	28° AT 3,000 RPM
CHEVY VEGA.....	20° AT 3,800 RPM
CHRYSLER SB V8.....	20° AT 3,000 RPM
FLAT HEAD FORD V8.....	16° AT 3,600 RPM
MODEL A FORD.....	18° AT 2,000 RPM
MODEL B FORD.....	14° AT 2,500 RPM
VW RABBIT, DASHER.....	28° AT 4,600 RPM
CHEVY V6 2.8L AND 3.1L.....	24° AT 4,400 RPM

Ignition Coils:

The UNILITE® Ignition system works with most stock ignition coils and after-market high performance ignition coils. For optimum performance, use a Mallory PROMASTER® Coil Part No 29440 or 29625, or Mallory Chrome Electronic Ignition Coil Part No. 29216.

Spark Plug Wires:

To prevent false triggering and premature ignition failures, use suppression type spark plug wire. We recommend spiral core ignition wire, such as Mallory PRO SIDEWINDER® Ignition Wire.

Spark Plug Gaps:

For street applications, use your engine manufacturer's specifications. For racing applications, start with your engine manufacturer's specifications. Then experiment with, and closely monitor, various gaps to achieve maximum performance.

Electric Welding:

Disconnect the distributor wire harness before welding on the vehicle.

NOTE: When replacing an HEI type distributor, it may be necessary to purchase and install distributor boots and terminals for the spark plug wires to correctly fit the UNILITE® Distributor cap.

Part No. 668 HEI to UNILITE® Boot Terminal Kit

OLD DISTRIBUTOR REMOVAL

Step 1

Disconnect the trigger wire from the coil (-) terminal. Locate the spark plug wire on the original distributor cap that is used to set engine timing. See a service manual for this location. Mark the distributor cap and distributor housing at this spark plug wire position.

Step 2

Turn the engine crankshaft in the direction of rotation until the timing mark lines up with the top dead center (TDC) mark on the timing tab. See a service manual for these locations.

Step 3

Remove the distributor cap from the distributor. Do not remove the spark plug wires or coil wire at this time. Make sure the rotor blade points to the mark made on the distributor housing (from Step 2). If it does not, repeat Step 2 until the timing mark lines up (again) with the TDC mark on the timing tab.

NOTE: *Once you are finished with Step 3, DO NOT turn the crankshaft until the new distributor is installed.*

Step 4

Note the direction that the rotor is pointing. If you are replacing a vacuum advance distributor, note the direction the vacuum chamber is pointing. Remove the distributor hold down clamp and remove the distributor from the engine.

UNILITE® DISTRIBUTOR INSTALLATION

Step 1

Remove the distributor cap from the UNILITE® Distributor.

Step 2

Place the UNILITE® Distributor in the engine. Rotate the UNILITE® Distributor housing in the opposite direction of rotor rotation until the nearest slot on the rotor's shutter wheel is aligned with the optical eye of the UNILITE® Module. This will generally give timing close enough for starting purposes. Put the distributor hold down clamp in place and tighten slightly, leaving it loose enough to turn the UNILITE® Distributor. Make a mark on the UNILITE® Distributor housing where the rotor points.

Step 3

Install the UNILITE® Distributor cap. Remove the spark plug wire on the original distributor cap that the engine timing is set from, and install it onto the UNILITE® Distributor cap post above the mark on the UNILITE® Distributor housing where the rotor had pointed. Install the remaining spark plug wires from the original distributor cap to the UNILITE® Distributor cap in the same sequence.

WIRING PROCEDURE

The 3 wires coming from the UNILITE® Distributor must be connected using the distributor wire harness furnished (see Figures 1 and 2).

RED WIRE: If you use loom resistance wire, connect to the coil (+) terminal. If you use a ballast resistor, connect to 12 volt side of ballast resistor.

GREEN WIRE: Connect to the coil (-) terminal.

BROWN WIRE: Connect to engine block ground. Clean away any grease, oil and paint from the mounting surface before the connection is made.

ADDITIONAL CONNECTIONS

Vacuum advance applications: Connect original vacuum hose to the UNILITE® Distributor vacuum chamber. Replace hose if cracked, damaged, or if it is not long enough. If the previous distributor was not equipped with vacuum advance, connect a vacuum hose to a ported vacuum outlet on the carburetor.

Tachometer operation: Connect wire or wires as recommended by the actual tachometer manufacturer.

STARTING ENGINE

CAUTION: Be sure all tools, wires and miscellaneous objects are clear of moving engine parts and extreme heat before starting the engine.

Step 1

Recheck all wires and connections to make sure they are correct. Check and clean, or replace spark plugs. If replacing spark plugs, use types recommended by the engine manufacturer.

Vacuum advance applications: Disconnect the vacuum hose to UNILITE® Distributor vacuum chamber at the carburetor and temporarily plug this carburetor fitting.

Step 2

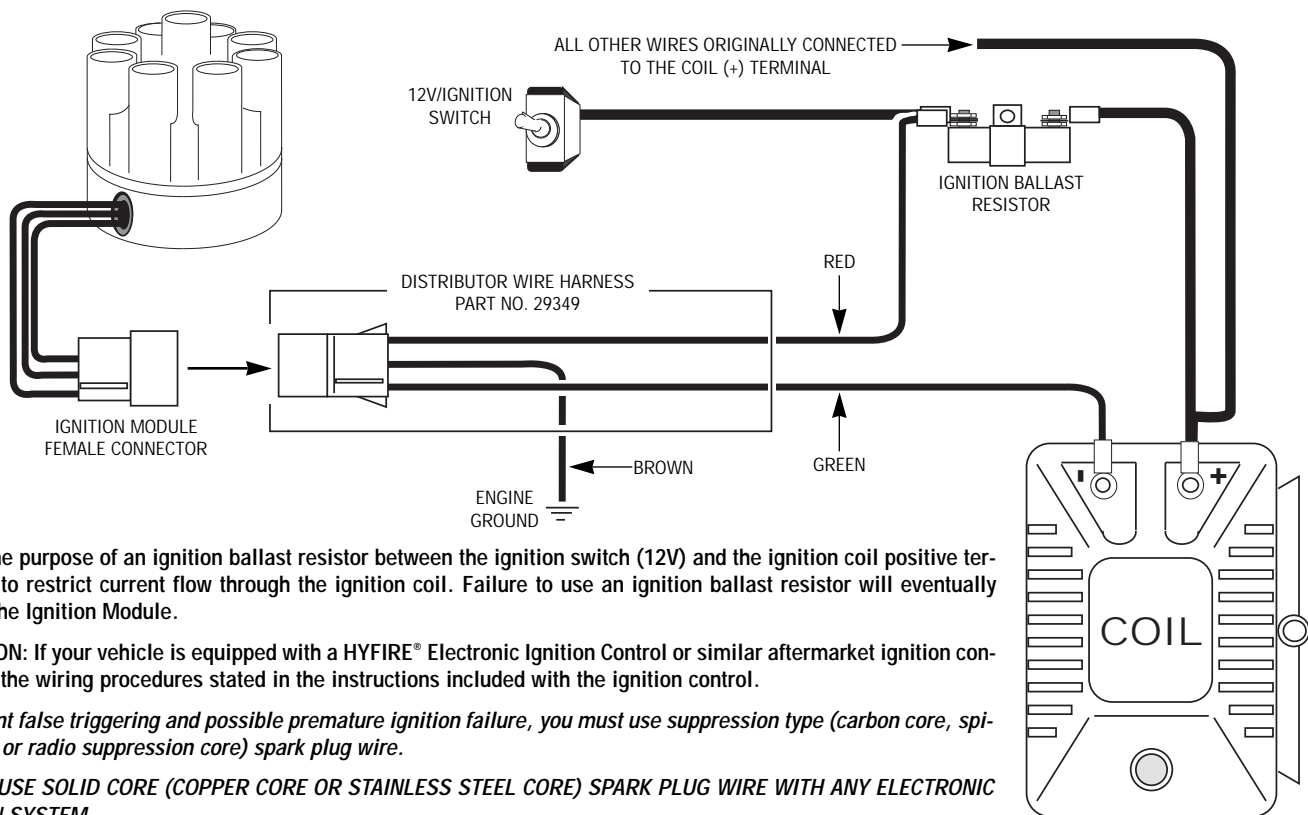
Connect a timing light and start the engine. If the engine fails to start, rotate the distributor in small increments clockwise or counterclockwise until the engine starts. Do not exceed more than ten degrees of distributor housing rotation in either direction.

Step 3

Set timing as recommended by the engine manufacturer, then tighten distributor hold down clamp. Check timing again. If timing has moved, repeat Step 3.

Vacuum advance applications: Reconnect the vacuum hose between the UNILITE® Distributor vacuum chamber and the carburetor.

FIGURE 1 UNILITE® WIRING DIAGRAM USING BALLAST RESISTOR



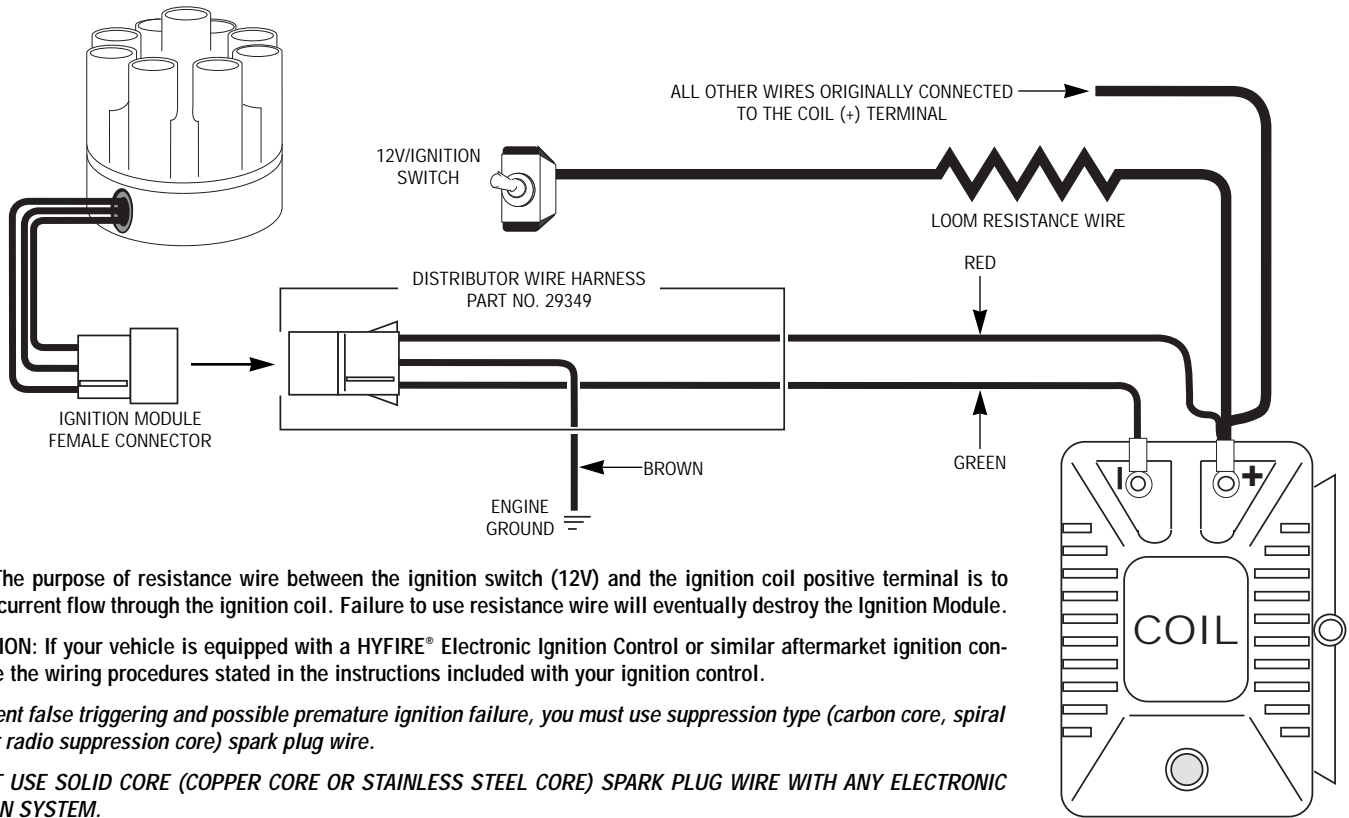
NOTE: The purpose of an ignition ballast resistor between the ignition switch (12V) and the ignition coil positive terminal is to restrict current flow through the ignition coil. Failure to use an ignition ballast resistor will eventually destroy the Ignition Module.

EXCEPTION: If your vehicle is equipped with a HYFIRE® Electronic Ignition Control or similar aftermarket ignition control, use the wiring procedures stated in the instructions included with the ignition control.

To prevent false triggering and possible premature ignition failure, you must use suppression type (carbon core, spiral core, or radio suppression core) spark plug wire.

DO NOT USE SOLID CORE (COPPER CORE OR STAINLESS STEEL CORE) SPARK PLUG WIRE WITH ANY ELECTRONIC IGNITION SYSTEM.

FIGURE 2 UNILITE® WIRING DIAGRAM USING OEM PRIMARY RESISTANCE WIRE



NOTE: The purpose of resistance wire between the ignition switch (12V) and the ignition coil positive terminal is to restrict current flow through the ignition coil. Failure to use resistance wire will eventually destroy the Ignition Module.

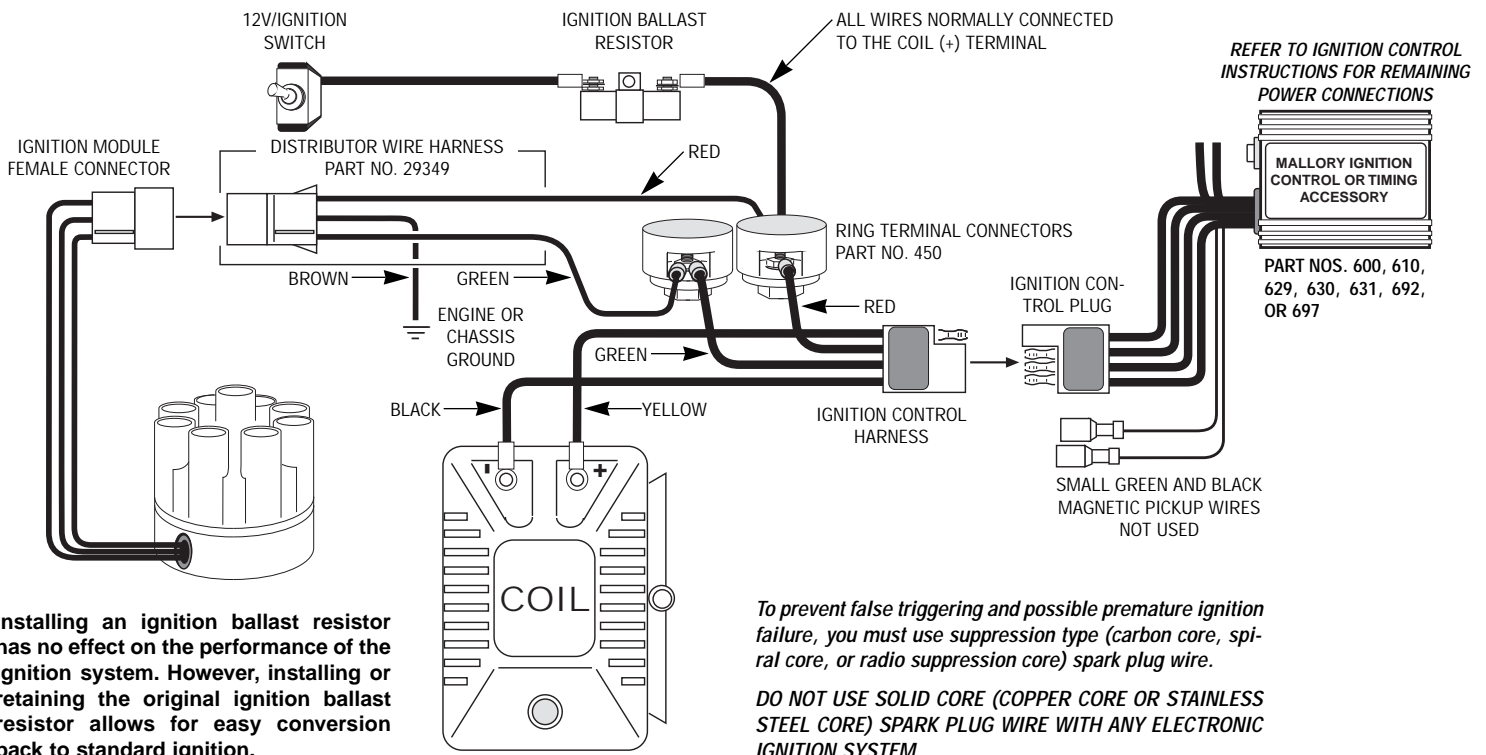
EXCEPTION: If your vehicle is equipped with a HYFIRE® Electronic Ignition Control or similar aftermarket ignition control, use the wiring procedures stated in the instructions included with your ignition control.

To prevent false triggering and possible premature ignition failure, you must use suppression type (carbon core, spiral core, or radio suppression core) spark plug wire.

DO NOT USE SOLID CORE (COPPER CORE OR STAINLESS STEEL CORE) SPARK PLUG WIRE WITH ANY ELECTRONIC IGNITION SYSTEM.

WIRING DIAGRAMS USING AFTERMARKET ELECTRONIC IGNITION CONTROLS

FIGURE 3

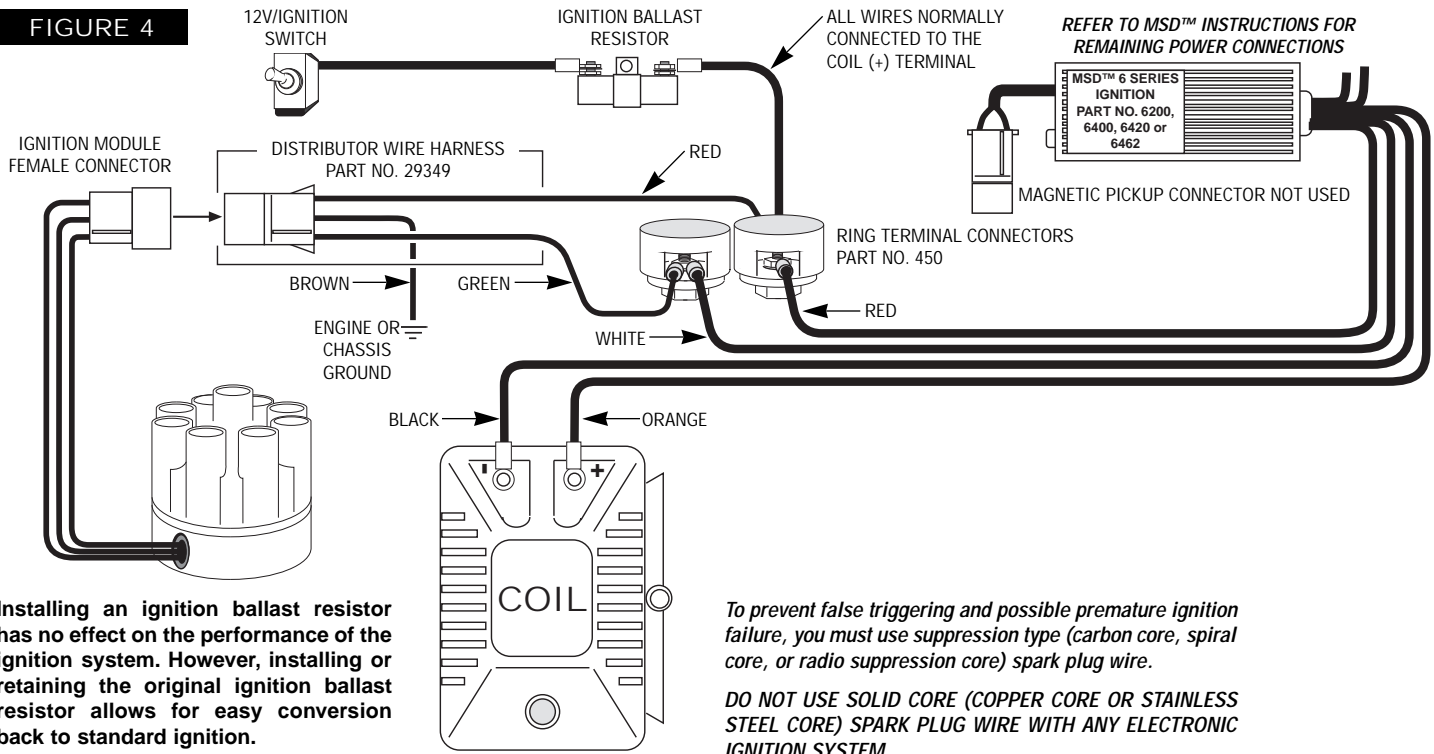


Installing an ignition ballast resistor has no effect on the performance of the ignition system. However, installing or retaining the original ignition ballast resistor allows for easy conversion back to standard ignition.

To prevent false triggering and possible premature ignition failure, you must use suppression type (carbon core, spiral core, or radio suppression core) spark plug wire.

DO NOT USE SOLID CORE (COPPER CORE OR STAINLESS STEEL CORE) SPARK PLUG WIRE WITH ANY ELECTRONIC IGNITION SYSTEM.

FIGURE 4



Installing an ignition ballast resistor has no effect on the performance of the ignition system. However, installing or retaining the original ignition ballast resistor allows for easy conversion back to standard ignition.

To prevent false triggering and possible premature ignition failure, you must use suppression type (carbon core, spiral core, or radio suppression core) spark plug wire.

DO NOT USE SOLID CORE (COPPER CORE OR STAINLESS STEEL CORE) SPARK PLUG WIRE WITH ANY ELECTRONIC IGNITION SYSTEM.

AUTOMOTIVE AND MARINE UNILITE® DISTRIBUTOR TUNE-UP PARTS			
AUTOMOTIVE	DISTRIBUTOR CAP	ROTOR/SHUTTER (EXCEPT 47 SERIES)	ROTOR/SHUTTER 47 SERIES ONLY
8 CYL. (STACK CAP)	209	335	322
8 CYL. (FLAT CAP)	221	360	-
6 CYL. (37 AND 38 SERIES)	226	331	-
6 CYL. (45, 46 AND 47 SERIES)	270	339	323
4 CYL. (37 AND 38 SERIES)	225	337	-
4 CYL. (45, 46 AND 47 SERIES)	271	340	325
MARINE (YLU SERIES ONLY)			
8 CYL. (STACK CAP)	209D	335	
8 CYL. (FLAT CAP)	221B	360	
6 CYL. (SMALL HOUSING, 3.12" O.D.)	226B	331	
6 CYL. (LARGE HOUSING, 3.65" O.D.)	270B	339	
4 CYL. (SMALL HOUSING, 3.12" O.D.)	225B	337	
4 CYL. (LARGE HOUSING, 3.65" O.D.)	271B	340	
UNILITE® MODULE, ALL MODELS: PART NO. 605			
DISTRIBUTOR WIRE HARNESS, ALL MODELS: PART NO. 29349			

OPTIONAL ACCESSORIES FOR THE UNILITE® DISTRIBUTOR

Active Power Filter..... Part No. 29351
Helps prevent module failures due to voltage spikes associated with "noisy" electrical systems and electrical defects.

Advance Curve Change Kit..... Part No. 29014
Required to change the amount and rate of advance within a range of 14° to 28°. Includes degree keys, springs, and instructions to plot advance curves.

PRODUCT WARRANTY POLICY

To the original retail purchaser of a Mallory, Inc. product, Mallory, Inc., subject to the conditions incorporated in this Limited Warranty, warrants that its products are free from defects in material and workmanship for the period of Ninety (90) days from the date of the original retail purchase. Notwithstanding anything to the contrary herein, Mallory, Inc., subject to the conditions incorporated in this Limited Warranty, warrants that its electronic ignition products are free from defects in material and workmanship for the period of One (1) Year from the date of the original retail purchase.

This Limited Warranty will be void on all Mallory, Inc. products that have been found to have been used in racing applications of any nature whatsoever and on all Mallory, Inc. products that show evidence of abuse, lack of proper maintenance, improper installation, misapplication, alteration in any way whatsoever from their original design or negligence in the use of said Mallory, Inc. products by the original retail purchaser or by any agent of the original retail purchaser.

Mallory, Inc. expressly retains the right to make changes and improvements in any product that it manufactures and sells at any time. These changes and improvements may be made without notice at any time and without any obligation to change the catalogs or printed matter of Mallory, Inc. or to change or improve any Mallory, Inc. product previously manufactured.

Mallory, Inc. expressly retains the right to discontinue at any time and without notice any Mallory, Inc. product that it manufactures or sells.

Mallory, Inc. retains the right to determine, in its sole discretion, whether or not any Mallory, Inc. product is covered by this Limited Warranty.

To obtain warranty service, return the Mallory, Inc. product along with proof of the date of the original retail purchase, freight prepaid to: Mallory, Inc., 550 Mallory Way, Carson City, NV 89701. Because of the nature of performance vehicles and performance products, the duties and obligations of Mallory, Inc. under this Limited Warranty are expressly

limited to the repair or replacement (at the discretion of Mallory, Inc.) of Mallory, Inc. products which, in the sole opinion of Mallory, Inc., have been found to be covered under the terms and conditions of this Limited Warranty. Mallory, Inc. expressly disclaims any duty or obligation to repair or replace any product other than a Mallory, Inc. product.

This Warranty is limited and expressly excludes any incidental or consequential damages. Some states do not allow the exclusion or limitation of incidental or consequential damages, so the above limitation or exclusion may not apply to you.

This Warranty is limited and expressly limits any implied warranty to Ninety (90) days from the date of the original retail purchase on all Mallory, Inc. products except that any implied warranty on electronic ignition products is hereby expressly limited to One (1) Year from the date of the original retail purchase. Some states do not allow limitations on how long an implied warranty lasts, so the above limitation may not apply to you.

This Limited Warranty shall be for the period of Ninety (90) days from the date of the original purchase on all Mallory, Inc. products, except that the warranty period for electronic ignition products shall be One (1) Year from the date of the original retail purchase and shall be nontransferable.

No person, party or corporate entity other than Mallory, Inc. shall have the right to determine whether or not this Limited Warranty is applicable to any Mallory, Inc. product or to authorize any action whatsoever under the terms and conditions of this Limited Warranty or to assume any obligation or liability of any nature whatsoever on behalf of Mallory, Inc. under the terms and conditions of this Limited Warranty.

This Limited Warranty is in lieu of and expressly excludes any and all other warranties, express or implied, including warranty of merchantability or of a fitness for a particular application or purpose.

This Warranty gives you specific legal rights, and you may also have other rights which vary from state to state.



MALLORY IS A DIVISION OF THE MR. GASKET PERFORMANCE GROUP
550 MALLORY WAY, CARSON CITY, NEVADA 89701
(775) 882-6600 FAX (775) 887-4326
www.mrgasket.com

FORM #1214
(REV. G) 4/99
Made in U.S.A.
Printed in U.S.A.